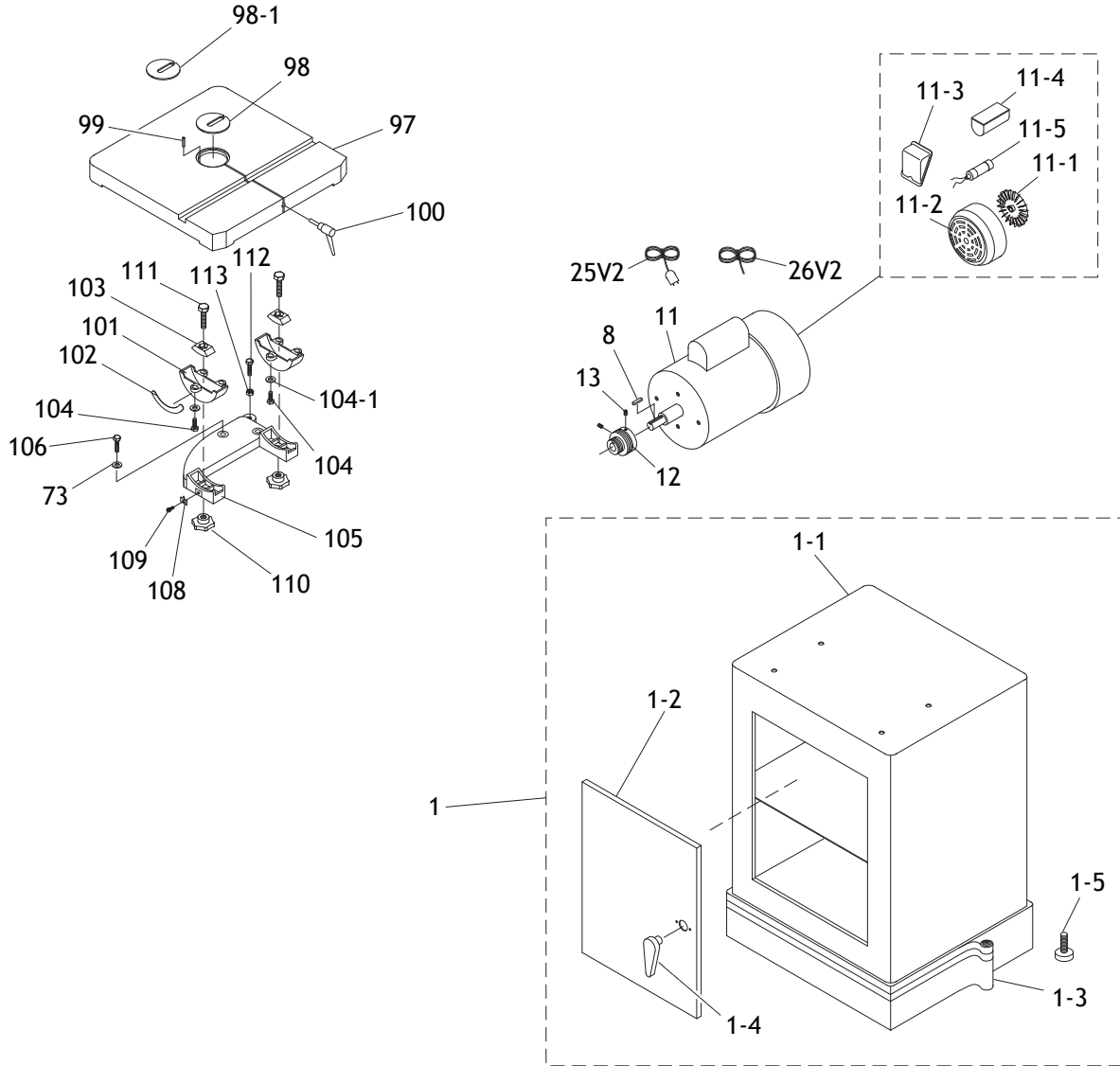


# PARTS

## Cabinet Stand



182

178

179

176

175

# W1706

184

181

180

177

**SHOP FOX**

**MODEL W1706 14" BANDSAW**

Motor: 1 HP, 110/220V, 10SA 1-Ph, 60 Hz  
Motor Speed: 1725 RPM  
Blade Speeds: 1700, 3000 FPM  
Blade Length: 30-42" x 1/2"  
Maximum Cut Left of Blade: 13-1/2"  
Maximum Height of Cut: 6"  
Weight: 242 Lbs.

177335    Manufactured for Woodstock in Texas

174V2

## Cabinet Stand Parts List

REF	PART #	DESCRIPTION
1	X1706001	CABINET STAND ASSEMBLY
1-1	X1706001-1	CABINET STAND
1-2	X1706001-2	CABINET DOOR
1-3	X1706001-3	BOTTOM BLACK STRIPE
1-4	X1706001-4	HANDLE
1-5	X1706001-5	CABINET RUBBER FOOT
8	XPK23M	KEY 5 X 5 X 25
11	X1706011	MOTOR 1HP 110V/220V 1PH
11-1	X1706011-1	MOTOR FAN
11-2	X1706011-2	MOTOR FAN COVER
11-3	X1706011-3	MOTOR JUNCTION BOX
11-4	X1706011-4	CAPACITOR COVER
11-5	X1706011-5	S CAPACITOR 300M 125V
12	X1706012	MOTOR PULLEY
13	XPSS07	SET SCREW 1/4-20 X 1/2
25V2	X1706025V2	POWER CORD 16G 3C 5-15 V2.08.10
26V2	X1706026V2	MOTOR CORD 16G 3C V2.08.10
73	XPLW01	LOCK WASHER 5/16
97	X1706097	TABLE
98	X1706098	LARGE TABLE INSERT
98-1	X1706098-1	SMALL TABLE INSERT
99	XPRP15M	ROLL PIN 3 X 8
100	X1706100	TABLE LOCK PIN

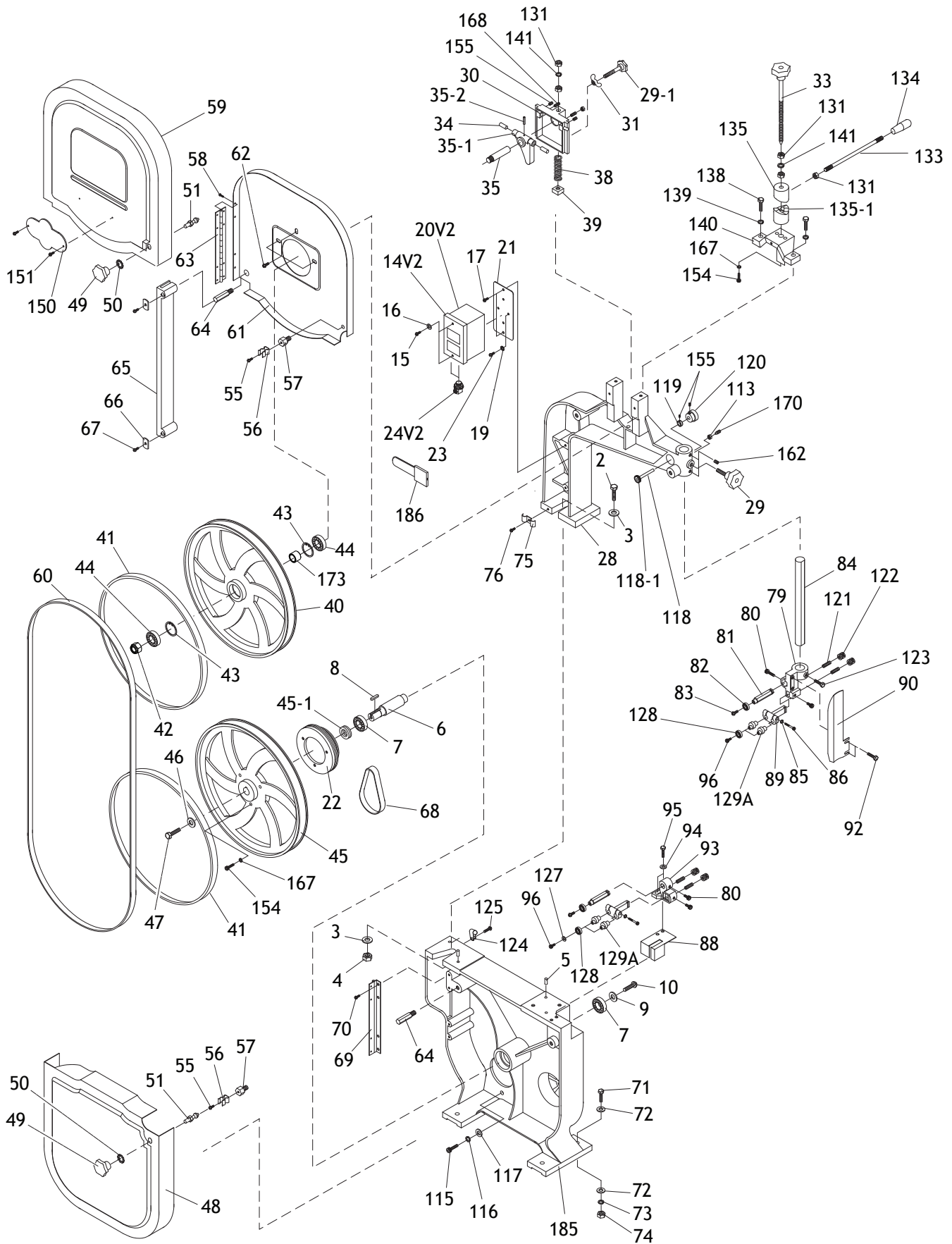
REF	PART #	DESCRIPTION
101	X1706101	TRUNNION
102	X1706102	TILT SCALE
103	X1706103	TRUNNION CLAMP SHOE
104	XPB19	HEX BOLT 1/4-20 X 1/2
104-1	XPW06	FLAT WASHER 1/4
105	X1706105	TRUNNION BASE
106	XPB12	HEX BOLT 5/16-18 X 1-1/4
108	X1706108	POINTER
109	XPS18	PHLP HD SCR 10-24 X 1/4
110	X1706110	TRUNNION LOCK KNOB 3/8-16
111	XPB58	HEX BOLT 3/8-16 X 2
112	XPB22	HEX BOLT 5/16-18 X 1-3/4
113	XPN02	HEX NUT 5/16-18
174V2	X1706174V2	MACHINE ID LABEL CSA V2.08.10
175	XLABEL-14	ELECTRICITY LABEL LARGE
176	XLABEL-14B	ELECTRICITY LABEL SMALL
177	XLABEL-03	CLOSE DOOR WARNING LABEL
178	XLABEL-10B	BANDSAW ADJUST LABEL
179	XLABEL-17	BLADE DIRECTION LABEL
180	XLABEL-07A	UNPLUG WARNING LABEL
181	XLABEL-06	RESPIRATOR WARNING LABEL
182	XLABEL-08	READ MANUAL LABEL SMALL
184	X1706184	MODEL NUMBER LABEL

## Body Parts List

REF	PART #	DESCRIPTION
2	XPB64	HEX BOLT 5/8-11 X 2-1/2
3	XPW14	FLAT WASHER 5/8
4	XPN04	HEX NUT 5/8-11
5	X1706005	GUIDE PIN 6 X 5MM
6	X1706006	LOWER WHEEL SHAFT
7	XP6204-2RS	BALL BEARING 6204-2RS
8	XPK23M	KEY 5 X 5 X 25
9	XPW07	FLAT WASHER 5/16
10	XPB86	HEX BOLT 5/16-18 X 3/4
14V2	X1706014V2	PUSH BUTTON SWITCH V2.08.10
15	XPHTK37	TAP SCREW #10 X 3/4
16	XPW03	FLAT WASHER #10
17	XPS01	PHLP HD SCR 10-24 X 1/2
19	XPTLW01	EXT TOOTH WASHER #10
20V2	X1706020V2	SWITCH BOX V2.08.10
21	X1706021	SWITCH BRACKET

REF	PART #	DESCRIPTION
22	X1706022	WHEEL PULLEY
23	XPS22	PHLP HD SCR 10-24 X 5/8
24V2	X1706024V2	STRAIN RELIEF V2.08.10
28	X1706028	UPPER FRAME ARM
29	X1706029	KNOB BOLT 5/16-18 X 3/4
29-1	X1706029-1	KNOB BOLT 5/16-18 X 2
30	X1706030	TENSION SPRING HOUSING
31	XPWN03	WING NUT 5/16-18
33	X1706033	TENSION BOLT 3/8-16 X 11-5/8
34	X1706034	PIVOT PIN
35	X1706035	UPPER WHEEL SHAFT
35-1	X1706035-1	SHAFT BRACKET
35-2	XPRP73M	ROLL PIN 4 X 30
38	X1706038	TENSION SPRING 3.8 X 76
39	X1706039	INDICATOR NUT 3/8 X 16
40	X1706040	UPPER WHEEL

# Body

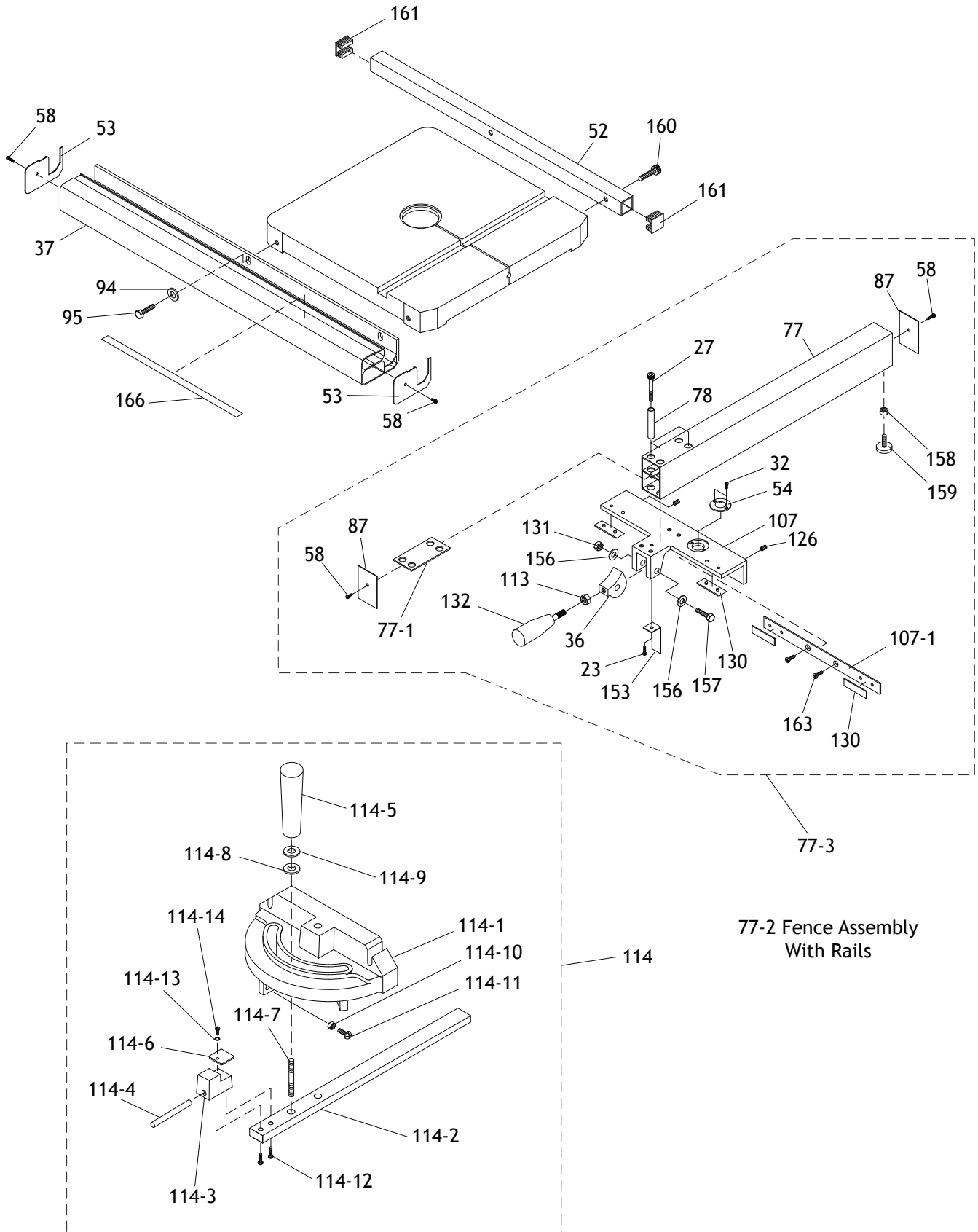


# Body Parts List

REF	PART #	DESCRIPTION
41	X1706041	WHEEL TIRE
42	XPLN16	LOCK NUT 1/2-20 THIN
43	XPR21M	INT RETAINING RING 35MM
44	XP6202-2RS	BALL BEARING 6202-2RS
45	X1706045	LOWER WHEEL
45-1	X1706045-1	SHIM 19 X 29 X 1MM BRASS
46	X1706046	LOWER WHEEL FLAT WASHER 5/16
47	XPB104	HEX BOLT 5/16-18 X 3/4 LH
48	X1706048	LOWER WHEEL COVER
49	X1706049	WHEEL COVER KNOB 5/16-18
50	XPTLW03M	INT TOOTH WASHER 8MM
51	X1706051	STUD LATCH
55	XPS01	PHLP HD SCR 10-24 X 1/2
56	X1706056	CATCH
57	X1706057	LOCATING BOLT 3/8-16 X 1-3/32
58	XPHTEK7	TAP SCREW #8 X 3/8
59	X1706059	UPPER WHEEL COVER
60	X1706060	SAW BLADE 6TPI X 93-1/2 X 3/8
61	X1706061	UPPER WHEEL HOUSING
62	XPFS19	FLANGE SCREW 10-24 X 5/16
63	X1706063	UPPER WHEEL COVER HINGE
64	X1706064	BLADE GUARD STUD
65	X1706065	BLADE GUARD
66	X1706066	FLAT WASHER 28 X 16 X 2
67	XPHTEK23	TAP SCREW #10 X 1/2
68	X1706068	MULTI-GROOVE BELT 200J5
69	X1706069	LOWER WHEEL COVER HINGE
70	XPS06	PHLP HD SCR 10-24 X 3/8
71	XPB11	HEX BOLT 5/16-18 X 1-1/2
72	XPW07	FLAT WASHER 5/16
73	XPLW01	LOCK WASHER 5/16
74	XPN02	HEX NUT 5/16-18
75	X1677005	DOUBLE CORD CLAMP
76	XPS01	PHLP HD SCR 10-24 X 1/2
79	X1706079	UPPER BLADE GUIDE CASTING
80	X1706080	THUMBSCREW 1/4-20 X 1/4
81	X1706081	BEARING ARBOR 1/4-20
82	XP6000ZZ	BALL BEARING 6000ZZ
83	XPFS19	FLANGE SCREW 1/4-20 X 5/16
84	X1706084	GUIDE POST
85	XPLW03	LOCK WASHER #10
86	XPCAP101	CAP SCREW 10-24 x 1-1/4
88	X1706088	LOWER BLADE GUIDE BRACKET

REF	PART #	DESCRIPTION
89	X1706089	GUIDE SHAFT BRACKET
90	X1706090	GUIDE POST GUARD
92	XPS06	PHLP HD SCR 10-24 X 3/8
93	X1706093	LOWER BLADE GUIDE CASTING
94	XPW06	FLAT WASHER 1/4
95	XPB05	HEX BOLT 1/4-20 X 3/4
96	XPCAP109	CAP SCREW 10-32 X 1/4
113	XPN02	HEX NUT 5/16-18
115	XPB03	HEX BOLT 5/16-18 X 1
116	XPLW01	LOCK WASHER 5/16
117	XPW07	FLAT WASHER 5/16
118	X1706118	PINION SHAFT
118-1	X1706118-1	PINION GEAR
119	X1706119	LOCK COLLAR
120	X1706120	KNURLED KNOB 1/4-24
121	XPSS52	SET SCREW 5/16-24 X 1-3/4
122	X1706122	KNURLED KNOB 5/16-24
123	XPCAP01	CAP SCREW 1/4-20 X 5/8
124	X1706124	CORD CLAMP 3/4"
125	XPS01	PHLP HD SCR 10-24 X 1/2
127	XPW03	FLAT WASHER #10
128	XP608-2RS	BALL BEARING 608-2RS
129A	X1706129A	ECCENTRIC SHAFT 3/8" V2.09.04
131	XPN08	HEX NUT 3/8-16
133	X1706133	QUICK RELEASE LEVER
134	X1706134	LEVER KNOB
135	X1706135	UPPER CLUTCH
135-1	X1706135-1	LOWER CLUTCH
138	XPB12	HEX BOLT 5/16-18 X 1-1/4
139	XPLW01	LOCK WASHER 5/16
140	X1706140	CLUTCH SUPPORT BRACKET
141	XPLW04	LOCK WASHER 3/8
150	XPLOGO3	SHOP FOX LOGO
151	XPHTEK10	TAP SCREW #4 X 3/8
154	XPCAP06	CAP SCREW 1/4-20 X 1
155	XPSS04	SET SCREW 1/4-20 X 5/16
162	X1706162	BALL PLUNGER 1/4-20 X 1/2
167	XPLW02	LOCK WASHER 1/4
168	PSS06	SET SCREW 1/4-20 X 3/4
170	X1706170	DOG POINT SET SCREW 1/4-20 X 1/2
173	X1706173	BUSHING
185	X1706185	LOWER FRAME
186	X1706186	SWITCH PADLOCK

# Fence & Miter Gauge



# Fence & Miter Gauge Parts List

REF	PART #	DESCRIPTION
23	XPS22	PHLP HD SCR 10-24 X 5/8
27	XPCAP44	CAP SCREW 1/4-20 X 2-1/2
32	XPS49	PHLP HD SCR 8-32 X 1-1/4
36	X1706036	LOCK CAM
37	X1706037	FRONT FENCE RAIL
52	X1706052	REAR FENCE RAIL
53	X1706053	FRONT RAIL END CAP
54	X1706054	FENCE POINTER LENS
58	XPTEK7	TAP SCREW #8 X 3/8
77	X1706077	FENCE TUBE
77-1	X1706077-1	FENCE INSET PLATE
77-2	X1706077-2	FENCE ASSEMBLY W/RAILS
77-3	X1706077-3	FENCE ASSEMBLY W/O RAILS
78	X1706078	SLEEVE
87	X1706087	FENCE END CAP
94	XPW06	FLAT WASHER 1/4
95	XPB05	HEX BOLT 1/4-20 X 3/4
107	X1706107	FENCE CARRIAGE
107-1	X1706107-1	LOCKING PLATE
113	XPN02	HEX NUT 5/16-18
114	X1706114	MITER GAUGE ASSEMBLY
114-1	X1706114-1	MITER GAUGE BODY
114-2	X1706114-2	MITER BAR
114-3	X1706114-3	STOP BLOCK

REF	PART #	DESCRIPTION
114-4	X1706114-4	STOP DOWEL
114-5	X1706114-5	HANDLE 1/4-20
114-6	X1706114-6	POINTER
114-7	X1706114-7	STUD 1/4-20 X 1-1/8
114-8	X1706114-8	PLASTIC FLAT WASHER 1/4"
114-9	XPW06	FLAT WASHER 1/4
114-10	XPN07	HEX NUT 10-24
114-11	XPS08	PHLP HD SCR 10-24 X 3/4
114-12	XPS18	PHLP HD SCR 10-24 X 1/4
114-13	XPW02M	FLAT WASHER 5MM
114-14	XPS18	PHLP HD SCR 10-24 X 1/4
126	XPSS02	SET SCREW 5/16-18 X 3/8
130	X1706130	BEARING PAD
131	XPN08	HEX NUT 3/8-16
132	X1706132	FENCE LOCK LEVER 5/16-18 X 5/8
153	X1706153	CAM WEAR PLATE
156	XPW02	FLAT WASHER 3/8
157	XPB58	HEX BOLT 3/8-16 X 2
158	XPN01M	HEX NUT M6-1
159	X1706159	RUB FOOT M6-1 X 15
160	XPCAP01	CAP SCREW 1/4-20 X 5/8
161	X1706161	REAR RAIL END CAP
163	XPFH9M	FLAT HD SCR M6-1 X 6
166	X1706166	FENCE SCALE