

RP12000 E Portable Generator



12000/11000* W Running | 15000 W Starting

Features

- Low Harmonic Distortion all copper generator (THD<5%)
- Easy to set up and operate
- Built tough with a heavy-duty frame, never-flat wheels and a double hinged handle
- All-steel construction
- Idle control
- Pressurized oil system
- Enhanced safety features like auto tip-over shut-off and covered wiring
- Electric start
- Automatically charges battery when running
- Removable lifting eye
- Battery charger included



Because of continuing improvements, actual product may differ slightly from this photo.

Control Panel



*EPA and CARB Models are both rated as 12000 AC Output Running Watts. CSA Model is rated as 11000 AC Output Running Watts.

RP12000 E Portable Generator



Specifications

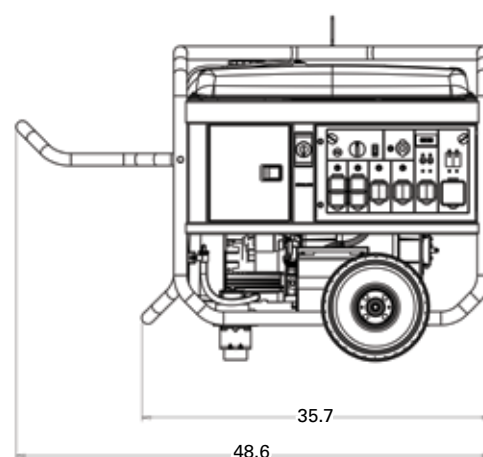
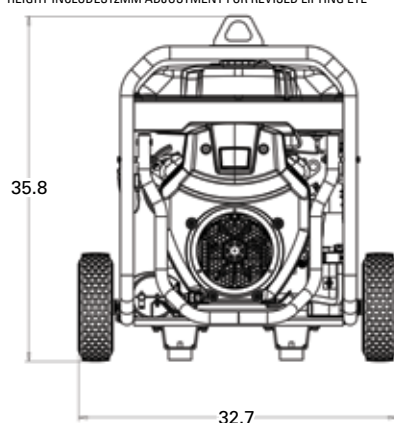
Product Series	RP Generators
Model Configuration	RP12000 E
Running Power (Watts)	12000/11000*
Starting Power (Watts)	15000
AC Voltage (Volts)	120/240
AC Frequency (Hz)	60
Engine Displacement (cc)	670 v-twin
Engine Type	OHV
Engine Speed (RPM)	3600
Recommended Oil	SAE30/10W-30
Lubrication Method	Pressurized
Automatic Voltage Regulation (AVR)	Yes
Starting Method	Electric
Shutdown Method	Low Oil Level
Battery Type	Lead Acid
Fuel Gauge	On Tank
Fuel Tank Nominal Capacity gal (L)	13.2 (50)
Run Time at 50% (hrs)	11.7
Handle Style	Double Folding
Wheel Type	Never-Flat
Warranty	Longer-term 3-year limited warranty applies when registered within 30 days. Standard 2-year limited warranty applies if not registered within 30 days.

*EPA and CARB Models are both rated as 12000 AC Output Running Watts. CSA Model is rated as 11000 AC Output Running Watts.

Dimensions and Weights

Length in (mm)	35.7 (908)
Width in (mm)	32.7 (830)
Height in (mm)	35.8 (910)
Extended Length in (mm)	48.6 (1235)
Carton Length in (mm)	34.1 (865)
Carton Width in (mm)	26.0 (660)
Carton Height including pallet (mm)	34.4 (870)
Unit Weight lbs (kg)	350 (159)
Shipping Weight lbs (kg)	397 (180)

HEIGHT INCLUDES 12MM ADJUSTMENT FOR REVISED LIFTING EYE



Dealer Contact Information

